

EASILY CONFIGURED TO MEET YOUR NEEDS

FORK

- Load platform

POWER

- Standard winch

BASE

- Standard base

WHEEL / CASTER OPTIONS

- 20 cm (8 in) non-marking rear wheels
- Pneumatic 20 cm (8 in) rear wheels for rough terrain
- 5 cm (2 in) non-marking front swivel casters

OPTIONS & ACCESSORIES

PRODUCTIVITY

- 20 cm (8 in) non-marking rear wheels
- Pneumatic 20 cm (8 in) rear wheels for rough terrain
- 5 cm (2 in) non-marking front swivel casters
- Field-installable foot break

STANDARD FEATURES

MEASUREMENTS

- 1.70 m (5 ft 7 in) working height
- Up to 91 kg (200 lb) load capacity

PRODUCTIVITY

- Portable and compact design
- Lightweight durable aluminium construction
- High strength aircraft quality cable
- Cushioned neoprene hand grip
- Beveled aluminium platform for easy loading and unloading
- Portable - folds for compact storage
- 20 cm (8 in) non-marking rear wheels
- Stair glides for easy handling on stairs
- Hold-down mechanism secures for transport

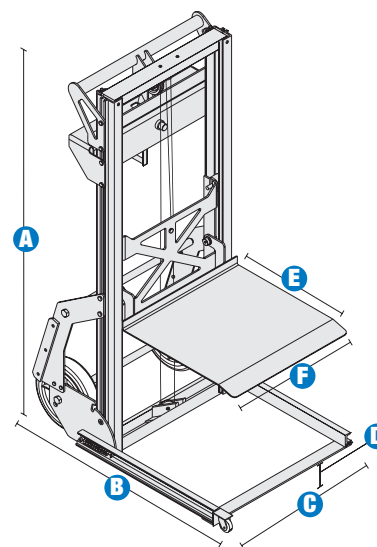
POWER

- Standard quiet high-speed winch
- Reversible winch handle for easy storage



Specifications

MODEL		LOAD LIFTER™	
MEASUREMENTS		Metric	US
A Height - stowed		1.14 m	3 ft 9 in
Height - platform maximum		1.70 m	5 ft 7 in
B Length - stowed		38 cm	1 ft 3 in
Length - operating		73 cm	2 ft 4.75 in
C Width - stowed		52 cm	1 ft 8.5 in
PRODUCTIVITY			
Load capacity		91 kg	200 lbs
D Load height minimum		5 cm	2 in
Ground clearance - centre		2 cm	.75 in
Average cranks - standard winch		3 cranks/30 cm	3 cranks/ft
E Load platform length		36 cm	1 ft 2 in
F Load platform width		43 cm	1 ft 4.75 in
POWER			
Power source		reversible standard winch	
WEIGHT*			
		29 kg	65 lbs



* Weight will vary depending on options and/or country standards.

Genie Europe

Millennium House
Brunel Drive
Newark, NG24 2DE
U.K.

Telephone **+44 (0)1476 584333**
Fax +44 (0)1476 584334

Email: AWP-InfoEurope@terex.com

Genie United States

18340 NE 76th Street
P.O. Box 97030
Redmond, WA
USA 98073-9730

Telephone **+1 (425) 881-1800**
Fax +1 (425) 883-3475

Distributed By:

Effective date: August, 2008. Product specifications are subject to change without notice or obligation. The photographs and/or drawings in this document are for illustrative purposes only. Refer to the appropriate Operator's Manual for instructions on the proper use of this equipment. Failure to follow the appropriate Operator's Manual when using our equipment or to otherwise act irresponsibly may result in serious injury or death. The only warranty applicable to our equipment is the standard written warranty applicable to the particular product and sale and we make no other warranty, expressed or implied. Products and services listed may be trademarks, service marks or trade-names of Terex Corporation, Genie Industries, Inc. and/or their subsidiaries in the U.S.A. and many other countries and all rights are reserved. Terex is a Registered Trademark of Terex Corporation in the U.S.A. and many other countries. Genie is a Registered Trademark of Genie Industries, Inc in the U.S.A. and many other countries. Genie is a Terex Company. Copyright 2008 Terex Corporation