

## Specifications

MODEL		GTH-3518R	
MEASUREMENTS	Metric	Imperial	
Lifting height (maximum)	17.25 m	56 ft 7 in	
Lifting capacity (maximum)	3,500 kg	7,715 lbs	
Lift capacity at maximum height	2,000 kg	4,409 lbs	
Lift capacity at maximum reach	300 kg	661 lbs	
Forward reach (maximum)	15.18 m	49 ft 10 in	
Reach at maximum height	3.8 m	12 ft 6 in	
<b>A</b> Height	2.93 m	9 ft 6 in	
<b>B</b> Height at steering wheel	2.07 m	6 ft 9 in	
<b>C</b> Width	2.40 m	7 ft 5 in	
<b>D</b> Inside cab width	91 cm	3 ft	
<b>E</b> Track	1.95 m	6 ft 5 in	
<b>F</b> Wheelbase	3.03 m	9 ft 11 in	
<b>G</b> Length at stabilisers	4.86 m	15 ft 11 in	
<b>H</b> Length at fork-holder plate	6.58 m	21 ft 7 in	
<b>I</b> Ground clearance	37 cm	1 ft 2 in	
<b>L</b> Overall width, stabilisers extended	3.66 m	12 ft	
<b>M</b> Side rear overhang	2.26 m	7 ft 5 in	
<b>N</b> Side front overhang	4.18 m	13 ft 8 in	
<b>O1</b> Obstruction angle	23°	23°	
<b>O2</b> Departure angle	23°	23°	

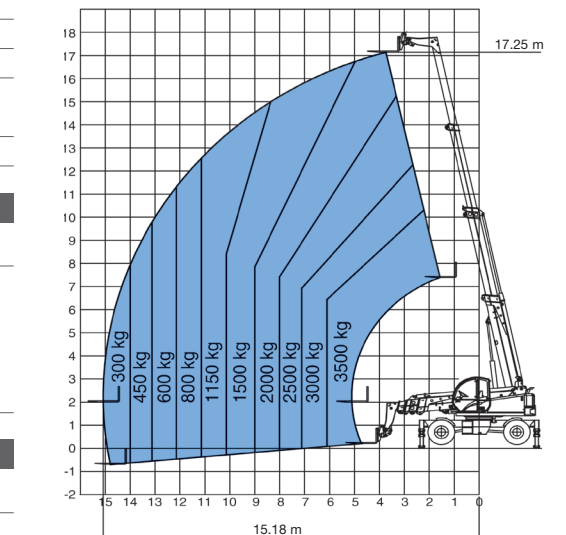
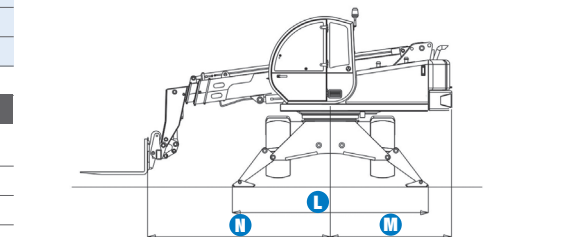
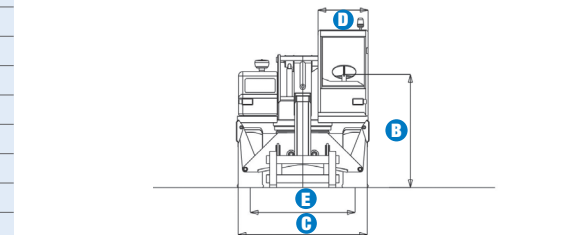
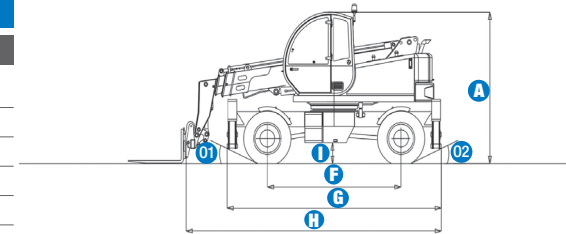
PRODUCTIVITY		
Lifting/lowering speed	15 sec./12 sec.	15 sec./12 sec.
Extension/retraction speed	24 sec./15 sec.	24 sec./15 sec.
Inside/outside turning radius	2.34 m/4 m	7 ft 8 in/13 ft 1 in
Break out force	7,400 kg	16,312 lbs
(with 500 L shovel SAE J 732/80)		
Towing capacity at dynamometer	7,000 kg	15,431 lbs
Travel speed	30 km/h	18.6 mph
Fork-holder plate rotation	145°	145°
Chassis levelling on front axle	+/-6°	+/-6°
Floating forks	L 1200 mm	L 3 ft 11 in
	Section 130 x 50 mm	Section 5 in x 2 in
Tyres (DIN 70361)	18-19.5" PR16 8 holes wheel disc	

POWER		
Engine	Perkins Turbo Diesel 74,4 kW (101 HP)	
Tank capacities		
Fuel	125 L	27 gal
Engine oil	11.5 L	2 gal
Hydraulic oil	200 L	44 gal
Hydraulic output/pressure	130 L/min-250 bars	29 gal/min-3,626 psi

WEIGHT		
Weight*	12,900 kg	28,437 lbs

**STANDARDS COMPLIANCE** Operating cab conforms to ISO3471 (ROPS) and ISO3449 (FOPS)  
Low emission engine conforms to UE 97/68 directives.

\* Weight will vary depending on options and/or country standards



Lift capacity chart (with stabilisers)

EN1459, Annex B

## Features

### STANDARD FEATURES

#### MEASUREMENTS

- 3,500 kg (7,715 lbs) maximum lift capacity
- 17.25 m (56 ft 7 in) maximum lift height
- 15.18 m (49 ft 10 in) maximum forward reach

#### PRODUCTIVITY

- Four-wheel drive
- 3 steering modes:
  - front wheel steer
  - crab steer
  - coordinated steer
- Power assisted steering
- Two-speed mechanical gearbox
- Front and rear stabilisers
- Continuous rotation
- Hydrostatic transmission
- 4x1 multifunction electro-proportional joystick
- Chassis levelling on the front axle +/-6°
- Limited slip differential on front axle
- Hydraulic quick coupling for attachments
- Fork-holder plate and floating forks
- Man-platform pre-arrangement
- Adjustable suspended seat
- Large diameter steering wheel
- Front windscreen wipers
- Front & rear lights
- Oil immersed, multi-disc, self-adjusting brakes on both axles
- Lockable fuel tank
- Longitudinal stability control system with load monitor
- Visible display with coloured LEDs
- Audible alarm
- Automatic lock-out of boom extension and lowering
- Lockout of stabilisers and chassis levelling with boom raised
- Control enable switch

#### POWER

- Perkins Turbo Diesel 74,4 kW (101 HP)

#### TYRES

- 18-19.5" PR16 8 holes wheel disc

### OPTIONS & ACCESSORIES

#### PRODUCTIVITY

- Air conditioning
- Pre-arrangement for Robot 8000
- Pre-arrangement for mixing bucket
- Second hydraulic line on boom
- Windshield protection grid
- Adjustable spotlight
- Wiper on cab roof
- Water muffler
- Radio remote control with one joystick
- High proportional valve-block
- Second joystick on left hand

#### ATTACHMENT OPTIONS

- Loading shovel 500 L
- Concrete bucket 500/800 L manual/hydraulic discharge
- Concrete mixing bucket 500 L with remote control
- Hydraulic jack 10 ton + box wrench 24 mm
- Brick-holder basket
- Fork side-shift +/- 100 mm
- Fixed hook on plate
- 4 m jib, 900 kg capacity
- 4 m jib with 900 kg capacity hydraulic winch
- Hydraulic winch 3000 kg
- Rotating and extendible man-platform up to 5.5 m
- Man-platform robot 8000

#### TYRES

- Foam-filled tyres
- Spare wheel 18-19.5" PR16

### European Offices

#### UK

The Maltings  
Wharf Road  
Grantham NG31 6BH  
UK  
Tel: +44 (0)1476 584333  
Fax: +44 (0)1476 584334

#### France

10, ZA de la Croix St. Mathieu  
28320 Gallardon  
France  
Tel: +33 (0)2 37 26 09 99  
Fax: +33 (0)2 37 26 09 98

#### Germany

Finienweg 3  
28832 Achim/Bremen  
Germany  
Tel: +49 (0)4202 8852-0  
Fax: +49 (0)4202 8852-25

#### Spain

Gaià 31, Pol. Ind. Plà d'en Coll  
08110 Montcada i Reixac  
Barcelona  
Spain  
Tel: +34 93 572 50 90  
Fax: +34 93 572 50 91

#### Scandinavia

Tagenevägen 72  
425 37 Hisings Kärra  
Sweden  
Tel: +46 31 57 51 00  
Fax: +46 31 57 90 20

#### Genie United States

18340 NE 76th Street  
P.O. Box 97030  
Redmond, Washington 98073-9730  
USA  
Tel: +1 425 881-1800  
Fax: +1 425 883-3475

**WEB:** [www.genieindustries.com](http://www.genieindustries.com)  
**Email:** [infoeurope@genieind.com](mailto:infoeurope@genieind.com)

#### Distributed By: